

LXW26S Series Universal Rotary Switch

Technical parameters



LXW26S-20

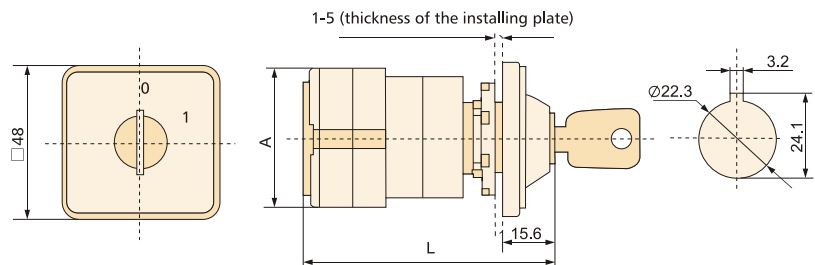
Description		LXW26S-20	LXW26S-25	LXW26S-32
Rated working voltage Ue	V	440	440	440
Rated thermal current Ith	A	20	25	32
Rated working current Ie				
AC-21A	A	20	25	32
AC-22A	A	20	25	32
AC-23A	A	15	22	30
Power P				
AC-23A	KW	7.5	11	15

Dimensions and installation

1、LXW26S A Type switch



LXW26S-25



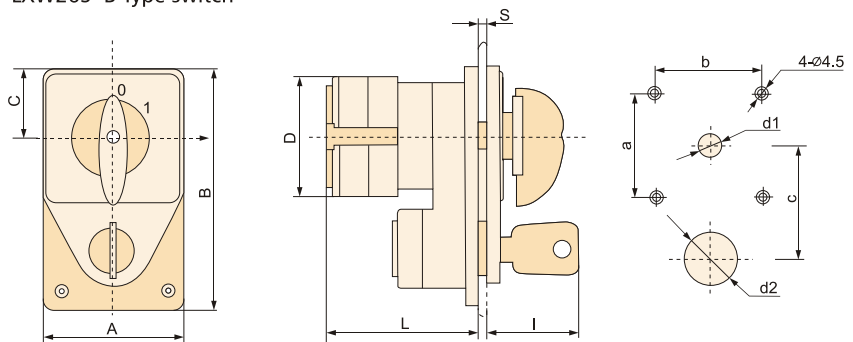
Description	Dimensions(mm)	
	A	L
LXW26S-20	43	76.5

Description	Dimensions(mm)	
	A	L
LXW26S-25	45.2	83

2、LXW26S B Type switch



LXW26S-32



Description	Dimensions(mm)							Installation(mm)				
	A	B	C	D	L	I	S	a	b	c	d1	d2
LXW26S-20	48	84	24	43	51.5	32.5	1~4	36	36	40	φ 8.5	φ 20
LXW26S-25	48	84	24	45.2	58	32.5	1~4	36	36	40	φ 8.5	φ 20
LXW26S-32	64	112	32	58	85	34	1~6	48	48	48	φ 10	φ 34